


REV	Description	DATE	BY
01	初版 作成	2011/09/12	Ryuchi
02	LANコネクタ、結線修正	2011/10/14	Ryuchi

CONTENTS	
PAGE NO.	SCHEMATIC PAGE
1	表紙
2	4Port USB HUB and Eternet
3	USB and Ethernet Connectors
4	Power Supply

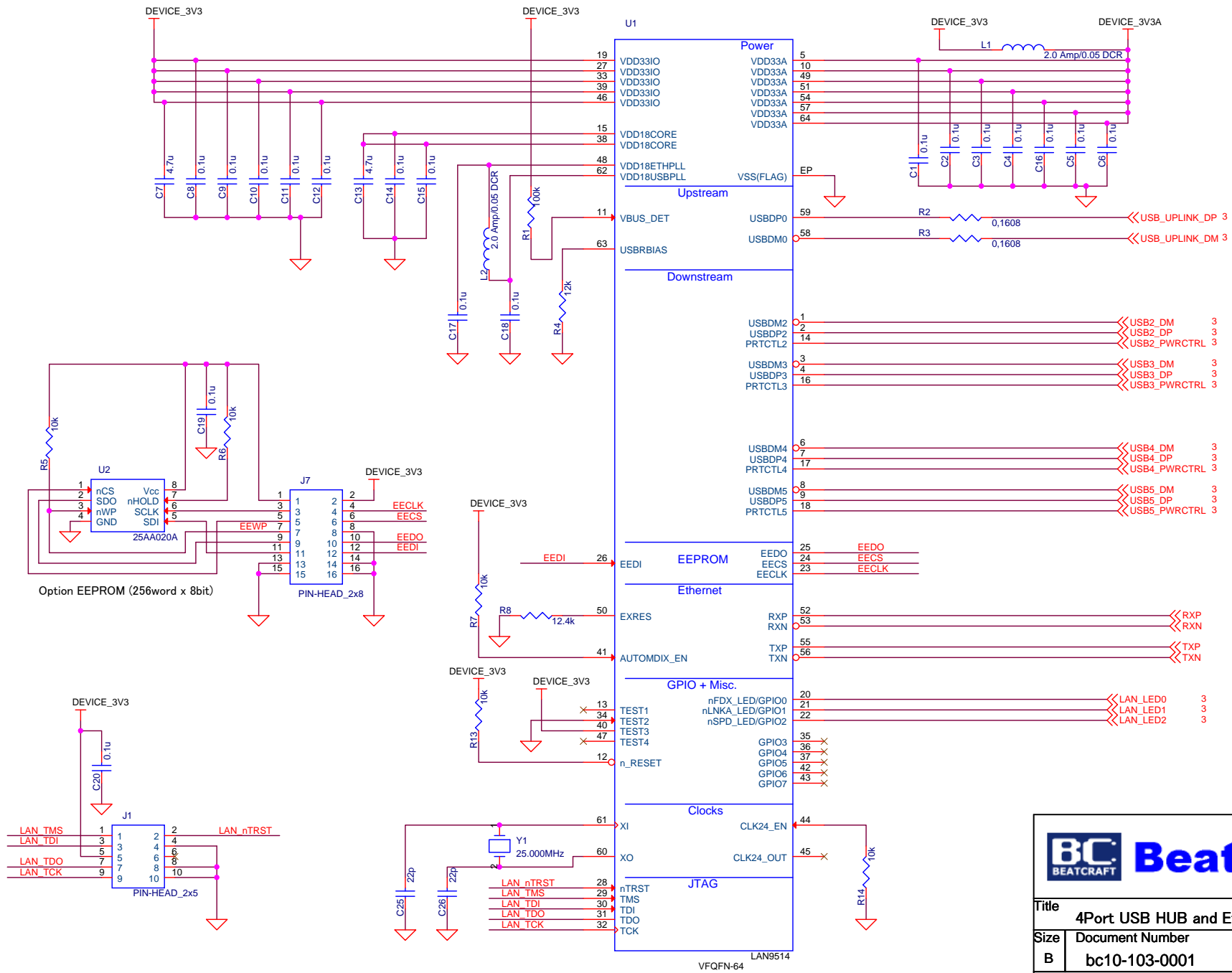



## BeatCraft, Inc.

Title: 表紙

Size	Document Number	Rev
B	bc10-103-0001	02

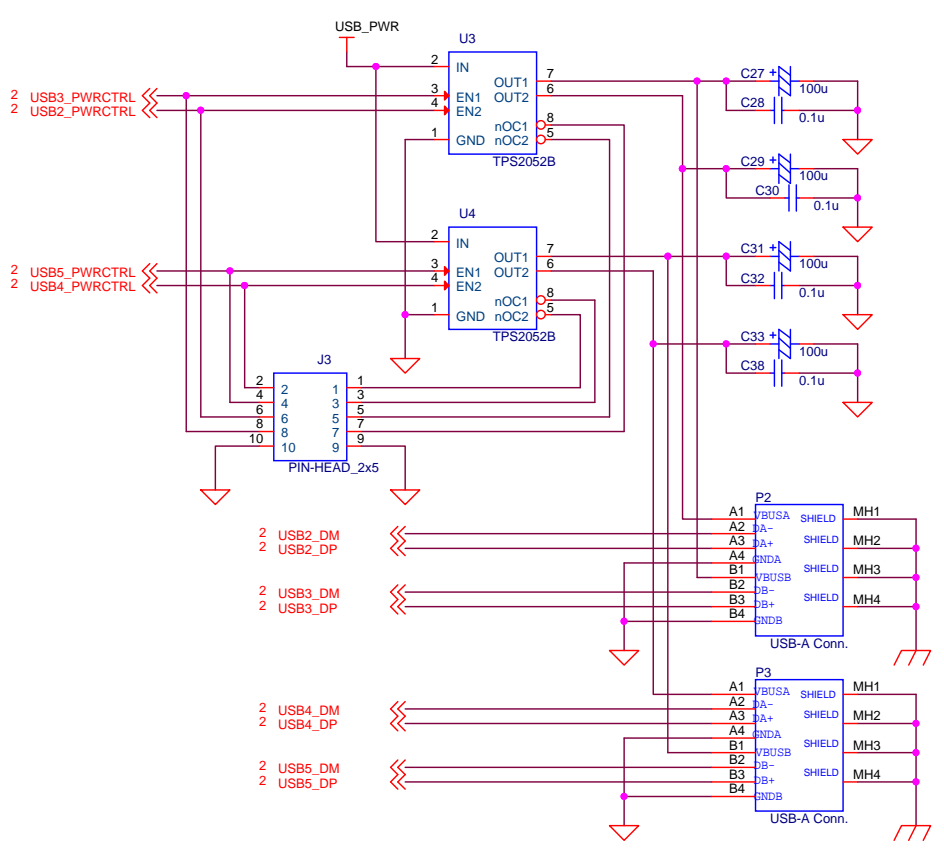
Date: Monday, September 12, 2011    Sheet 1 of 4



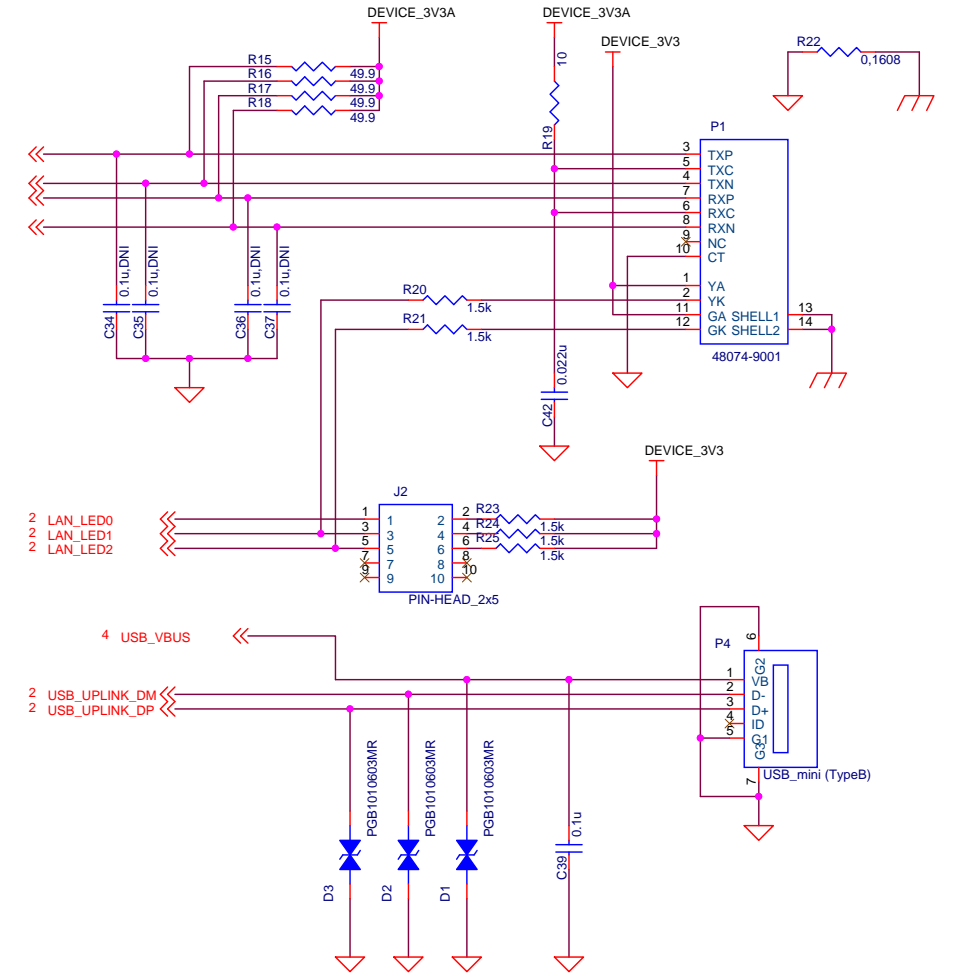


# BeatCraft, Inc.

Title		
4Port USB HUB and Ethernet		
Size	Document Number	Rev
B	bc10-103-0001	02
Date:	Monday, September 12, 2011	Sheet 2 of 4



- 2 TXP
- 2 TXN
- 2 RXP
- 2 RXN



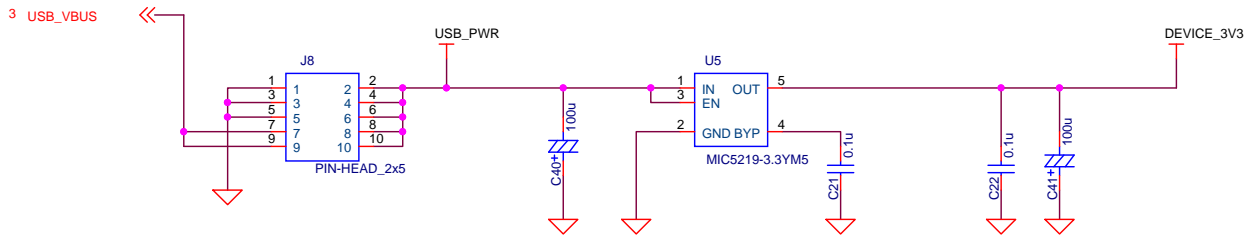


# BeatCraft, Inc.

**Title** USB and Ethernet connectors

<b>Size</b>	Document Number	<b>Rev</b>
<b>B</b>	bc10-103-0001	02

**Date:** Monday, September 26, 2011 **Sheet** 3 **of** 4



**BC**  
BEATCRAFT

# BeatCraft, Inc.

Title: Power Supply

Size: B	Document Number: bc10-103-0001	Rev: 02
---------	--------------------------------	---------

Date: Thursday, September 08, 2011 Sheet 4 of 4