

| REV | Description | DATE | BY |
|-----|-------------|-------------|--------|
| 01 | 温度計 サンプル | 08 Nov 2010 | Ryuchi |
| | | | |

| CONTENTS | |
|----------|-------------------|
| PAGE NO. | SCHEMATIC PAGE |
| 1 | Cover page |
| 2 | bc10 Breakout 温度計 |

BC BEATCRAFT **BeatCraft, Inc.**

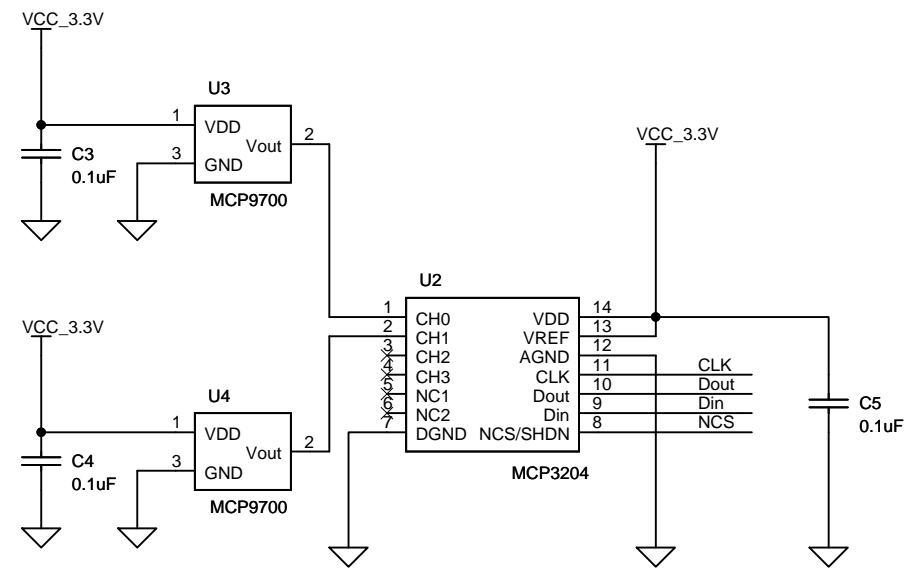
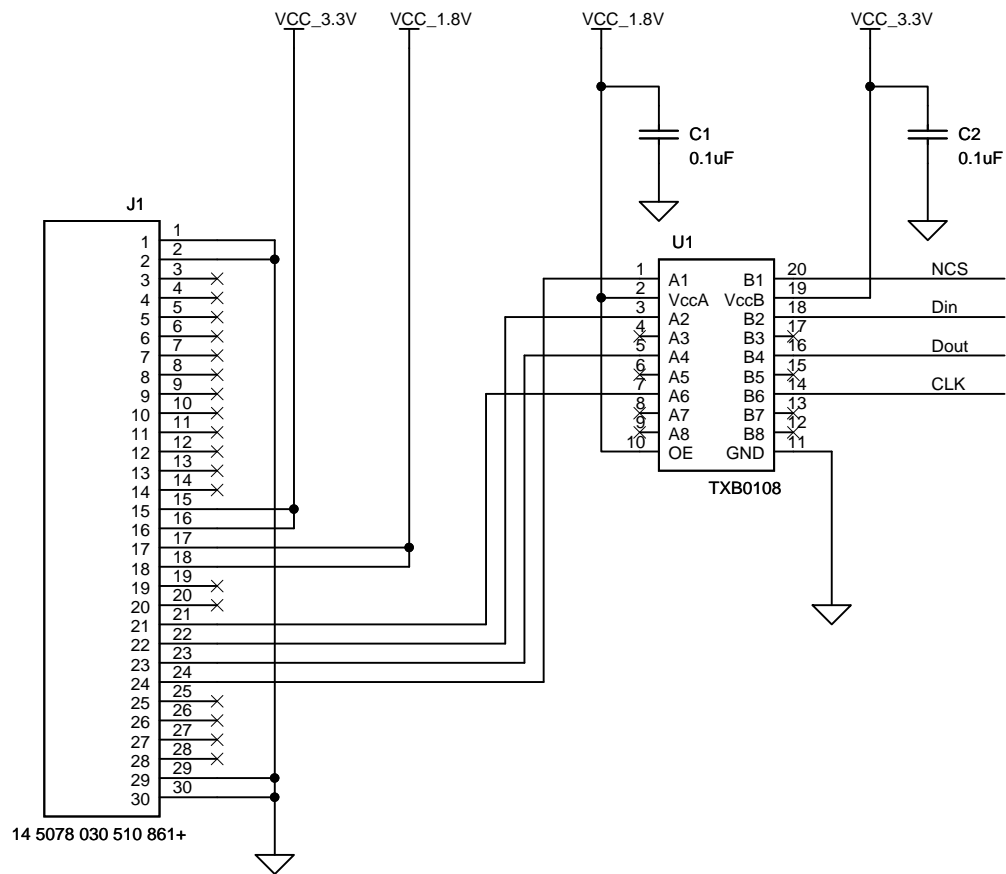
Title: Cover page

| | | |
|------|-----------------|-----|
| Size | Document Number | Rev |
| B | bc10-002-0006 | 01 |

Date: Thursday, November 18, 2010 Sheet 1 of 2

D
C
B
A

D
C
B
A



| | | |
|-------------------|-----------------------------|--------------|
| Title | | |
| bc10 Breakout 温度計 | | |
| Size | Document Number | Rev |
| A4 | bc10-002-0006 | 01 |
| Date: | Thursday, November 18, 2010 | Sheet 2 of 2 |