

REV	Description	DATE	BY
01	気圧計 サンプル	08 Nov 2010	Ryuchi

CONTENTS	
PAGE NO.	SCHEMATIC PAGE
1	Cover page
2	bc10 Breakout 気圧計

 BeatCraft, Inc.	
Title	
Cover page	
Size	Document Number
B	bc10-002-0003
Date:	Monday, November 08, 2010
Sheet	1 of 2
Rev	01

D
C
B
A

D
C
B
A

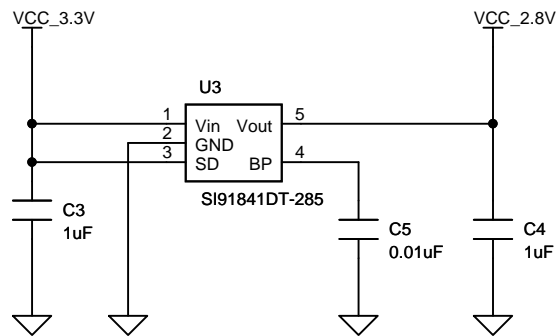
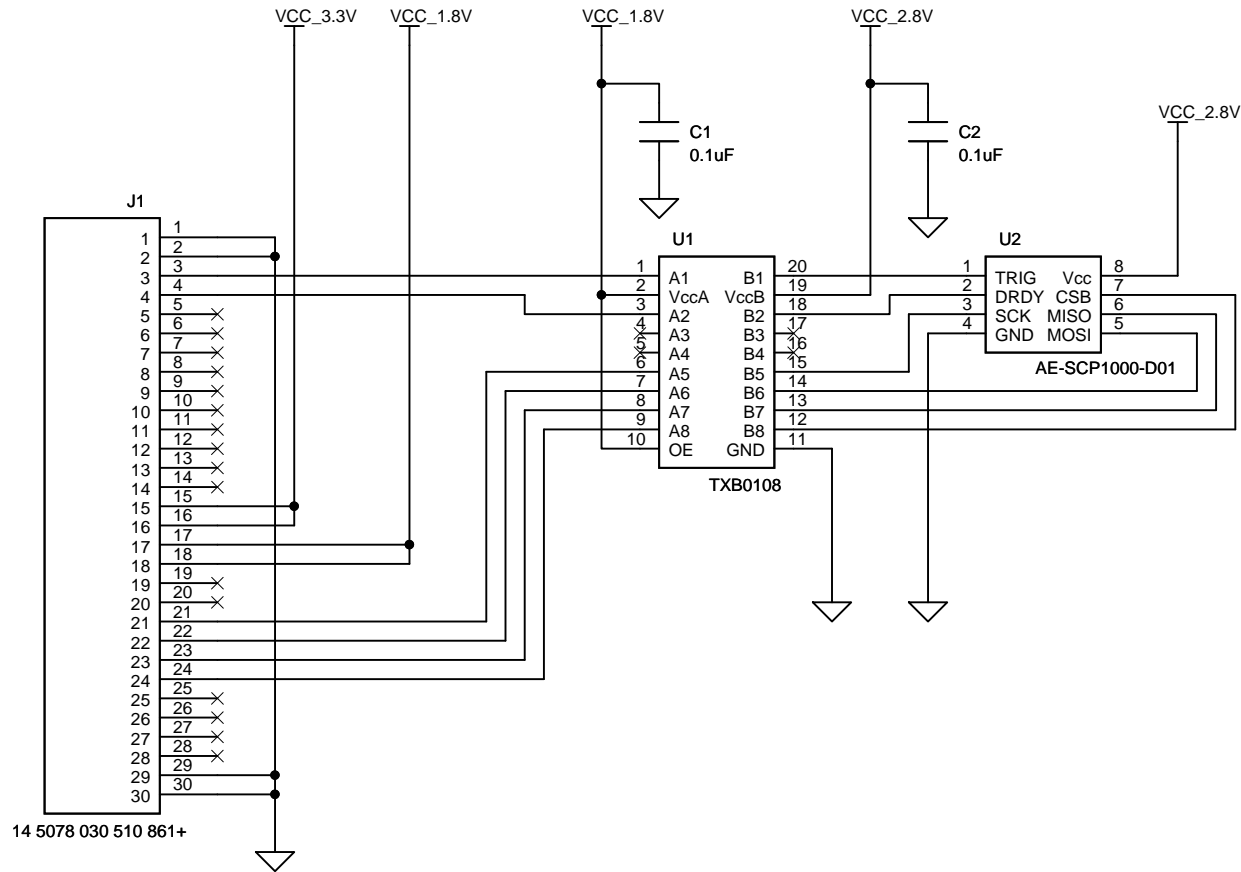
5

4

3

2

1





BC BEATCRAFT **BeatCraft, Inc.**

Title		
bc10 Breakout 気圧計		
Size	Document Number	Rev
A4	bc10-002-0003	01
Date:	Monday, November 08, 2010	Sheet 2 of 2