


REV	Description	DATE	BY
01	bc10 拡張ボード 初版	13 Oct 2010	Ryuchi

CONTENTS	
PAGE NO.	SCHEMATIC PAGE
1	Cover page
2	bc10 AV IO Breakout

 BeatCraft, Inc.	
Title	
Cover page	
Size	Document Number
B	bc10-008-0001
Date: Friday, October 22, 2010	Rev 01
Sheet 1 of 2	

D
C
B
A

D
C
B
A

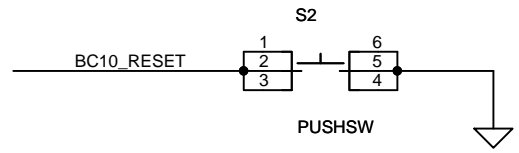
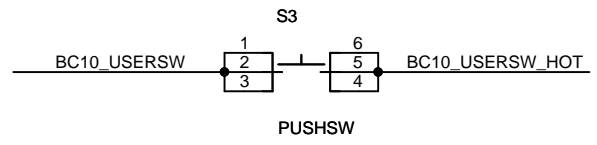
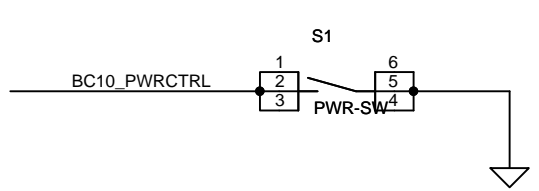
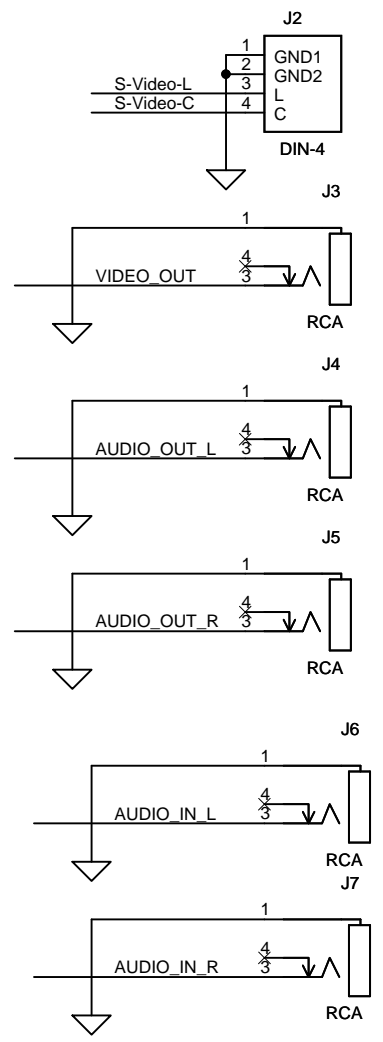
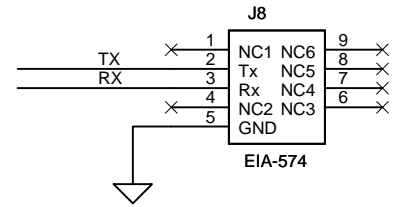
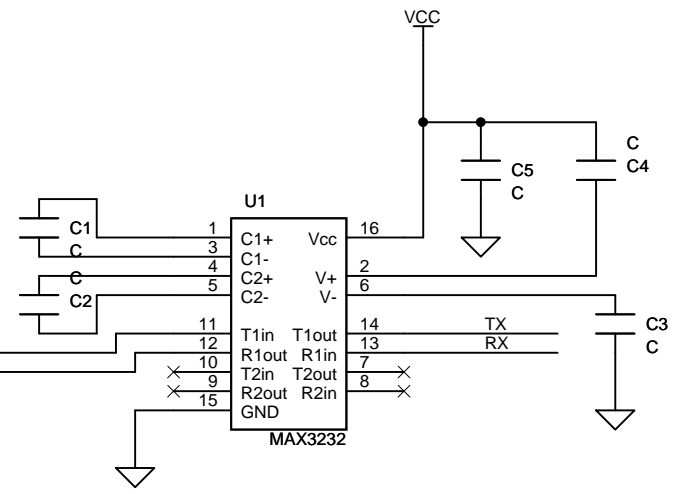
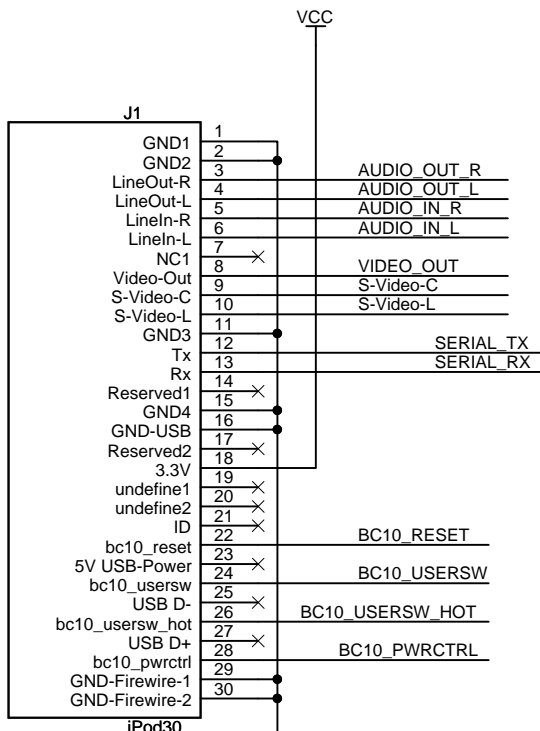
5

4

3

2

1



Title		
bc10 Breakout		
Size	Document Number	Rev
A4	bc10-009-0001	01
Date:	Friday, October 22, 2010	Sheet 2 of 2