

REV	Description	DATE	BY
01	初版 作成	2011/07/06	Ryuchi
02	C1~C6, C12: 0.1uF → 0.033uF に修正 C10: 0.1uF → 1uF に修正 U1: 21番と22番 入れ替え修正 X1: GND用 2.4番ピン追加	2011/07/28	Ryuchi

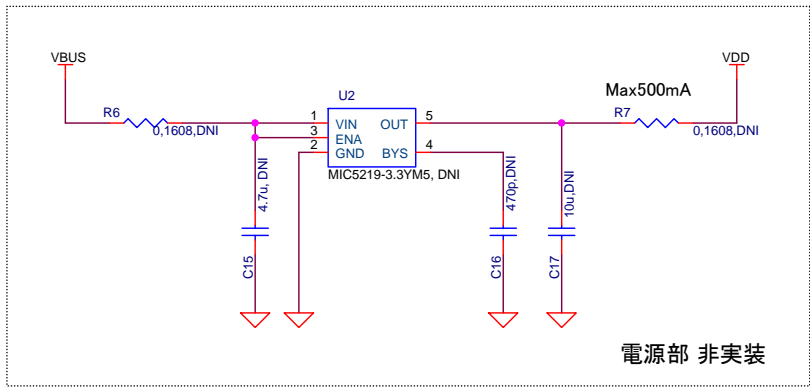
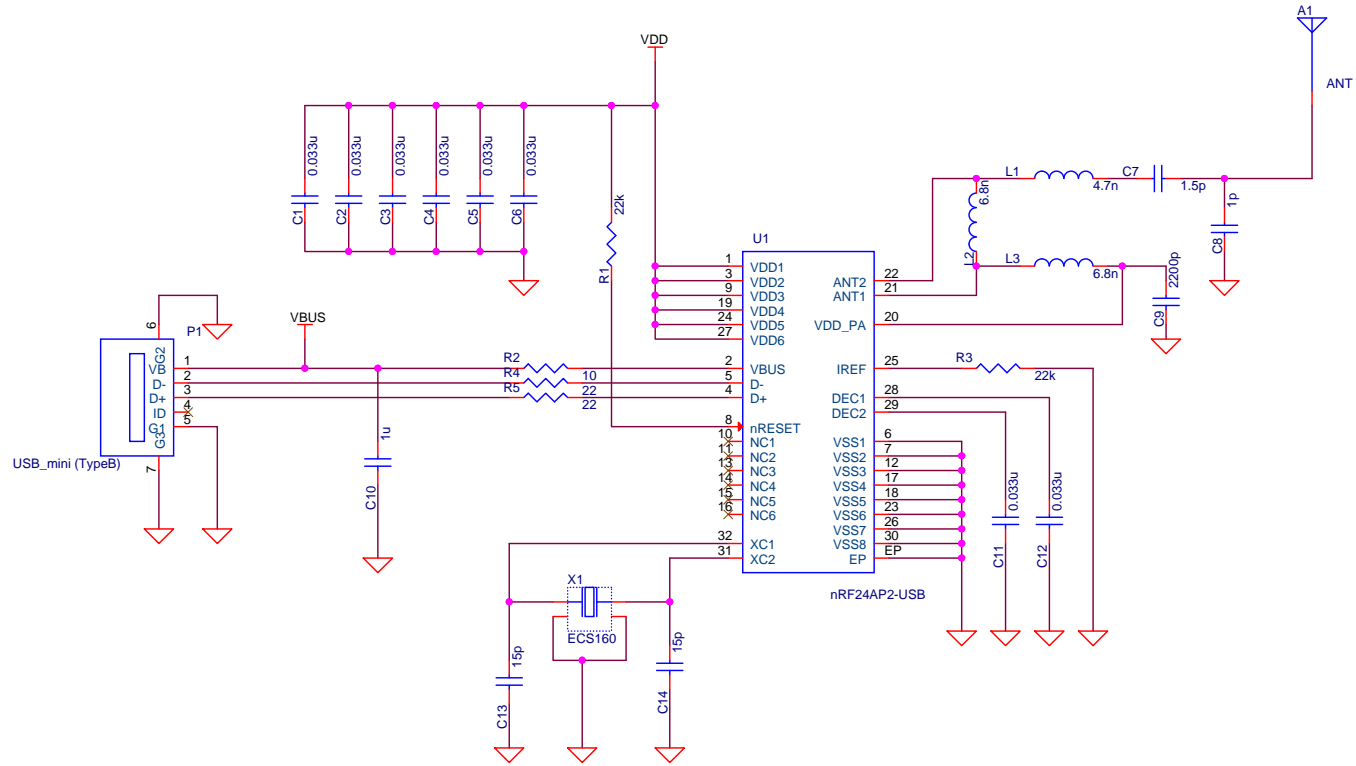
CONTENTS	
PAGE NO.	SCHEMATIC PAGE
1	表紙
2	ANT Breakout (USB)

BC **BeatCraft, Inc.**
BEATCRAFT

Title
表紙

Size B	Document Number ANT-001-0002	Rev 02
-----------	---------------------------------	-----------

Date: Thursday, July 28, 2011 Sheet 1 of 2





BeatCraft, Inc.

Title		ANT Breakout (USB)
Size	Document Number	Rev
B	ANT-001-0002	02
Date:	Thursday, July 28, 2011	Sheet 2 of 2