


REV	Description	DATE	BY
01	初版 作成	2011/12/08	Ryuchi

CONTENTS	
PAGE NO.	SCHEMATIC PAGE
1	COVER PAGE
2	Touch pad Test board

 <b>BeatCraft, Inc.</b>	
Title	
COVER PAGE	
Size	Document Number
B	OVERO-002-0002A
Date: Friday, December 09, 2011	Sheet 1 of 2
Rev	01

D  
C  
B  
A

D  
C  
B  
A

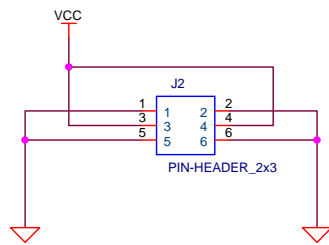
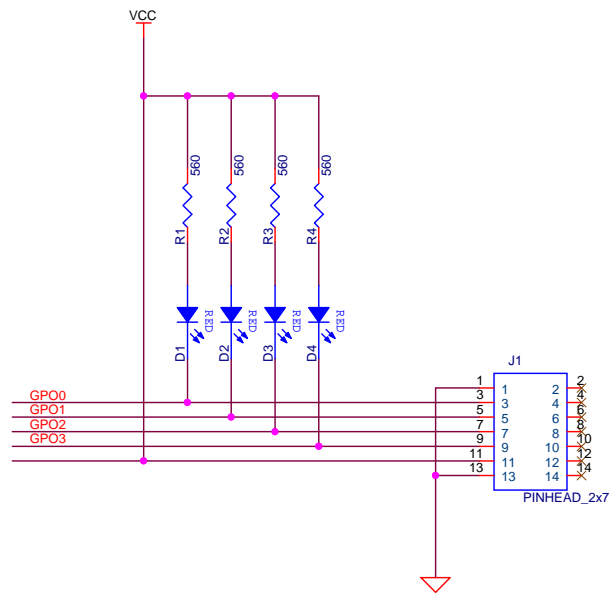
5

4

3

2

1



Title		
Touch pad Test board		
Size	Document Number	Rev
B	OVERO-002-0002A	01
Date:	Friday, December 09, 2011	Sheet 2 of 2