
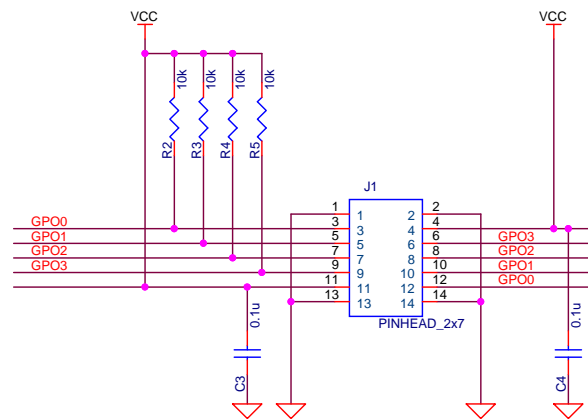
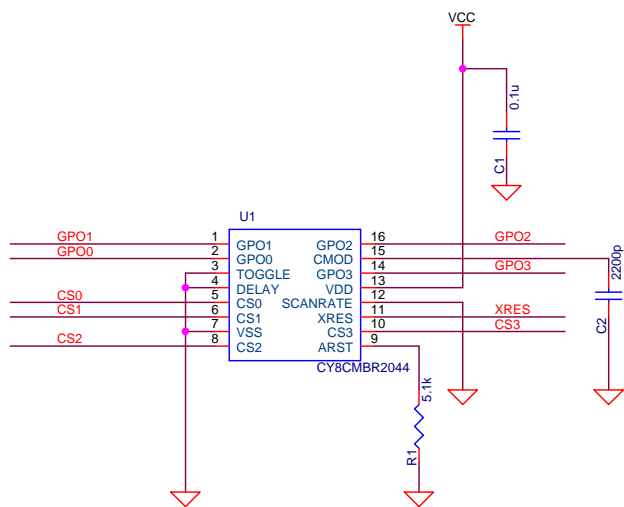
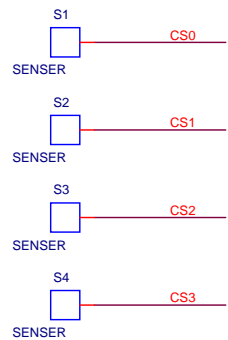


REV	Description	DATE	BY
01	初版 作成	2011/11/18	Ryuchi

CONTENTS	
PAGE NO.	SCHEMATIC PAGE
1	表紙
2	Touch pad interface

 BeatCraft, Inc.	
Title	
表紙	
Size	Document Number
B	OVERO-002-0001A
Date: Thursday, November 17, 2011	
Sheet	1 of 2
Rev	01



BeatCraft, Inc.

Title		Touch pad interface	
Size	Document Number	Rev	
B	OVERO-002-0001A	01	
Date:	Friday, December 09, 2011	Sheet	2 of 2