


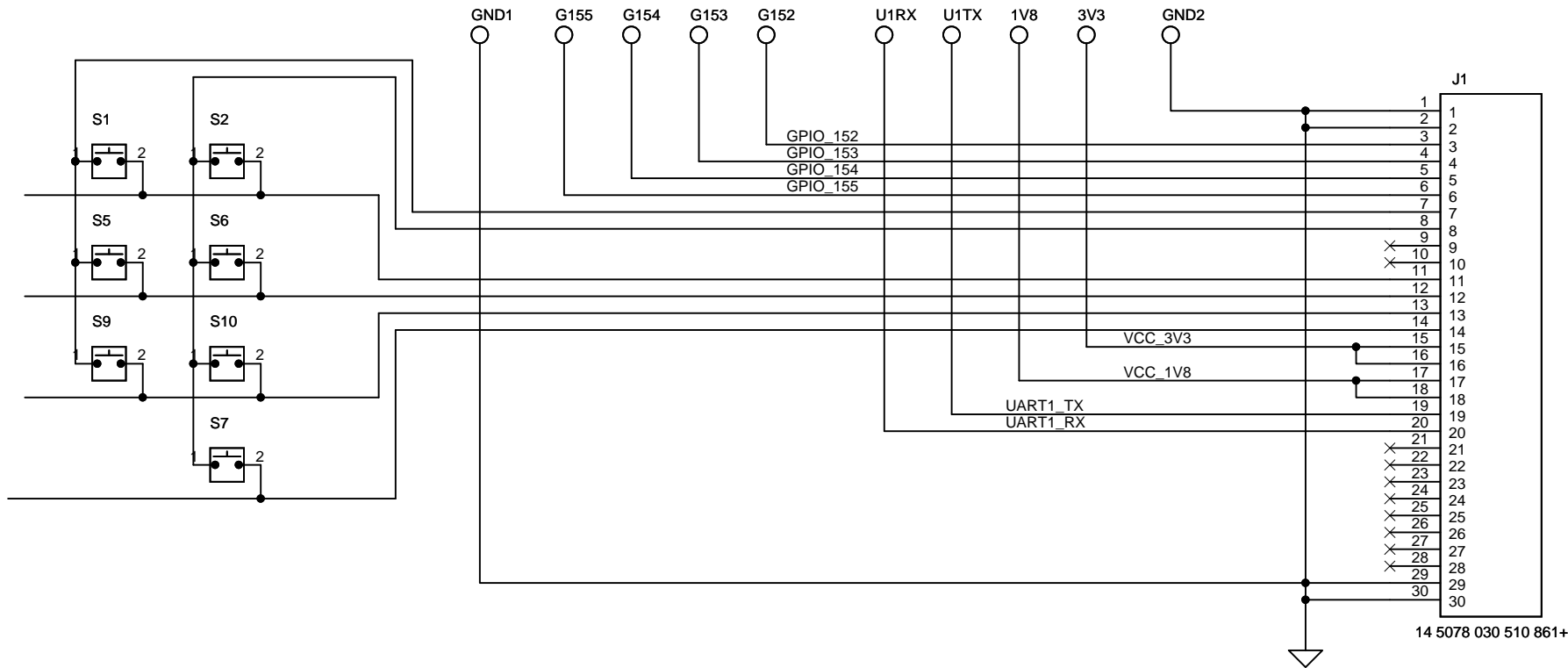
REV	Description	DATE	BY
01	bc10 拡張ボード 初版	13 Dec 2010	Ryuchi

CONTENTS	
PAGE NO.	SCHEMATIC PAGE
1	Cover page
2	Keypad

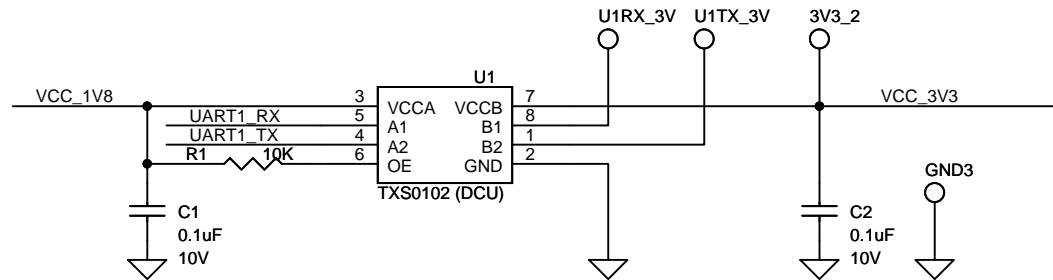
 BeatCraft, Inc.	
Title	
Cover page	
Size	Document Number
B	bc10-007-0001
Date: Friday, December 17, 2010	Sheet 1 of 2
Rev	01

D
C
B
A

D
C
B
A



14 5078 030 510 861+



Title		
bc10 キーボード		
Size	Document Number	Rev
A4	bc10-007-0001	01
Date: Wednesday, December 15, 2010		
Sheet 2 of 2		